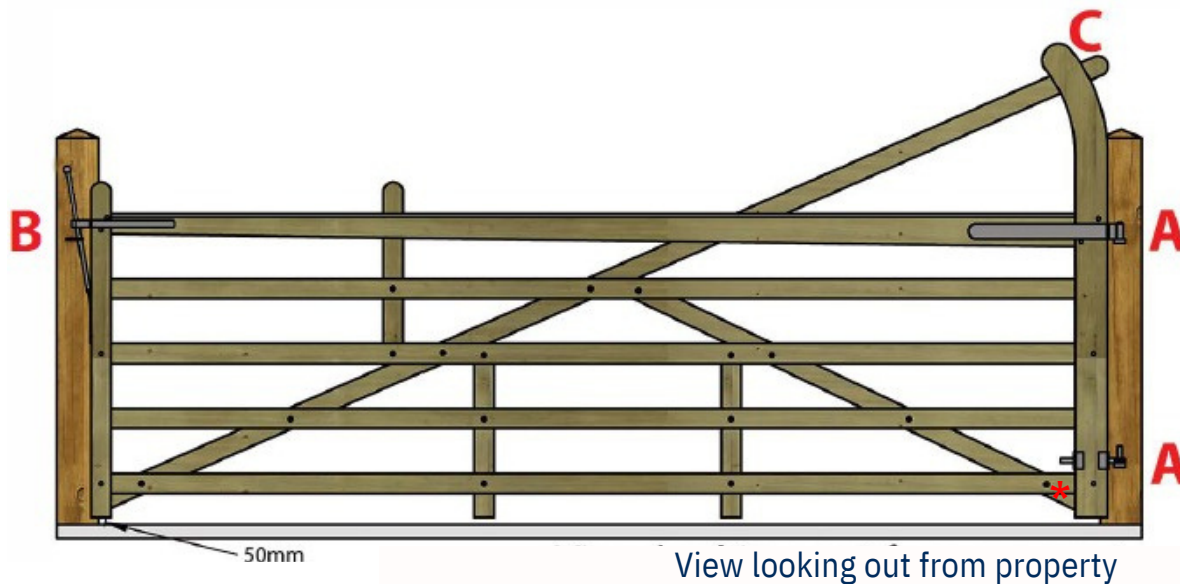


# SINGLE 5 BAR GATE HUNG ON FACE OF POSTS

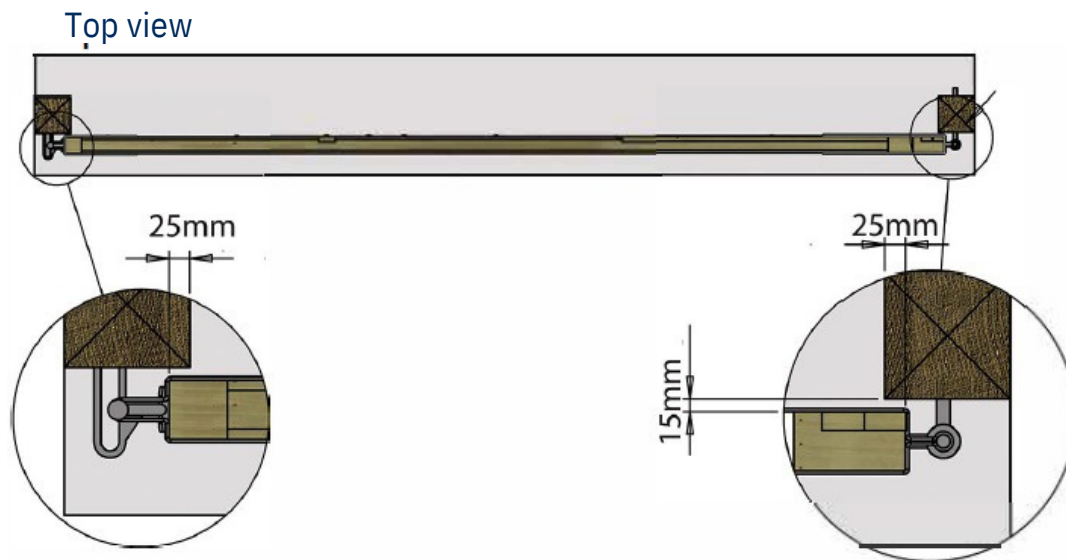


- A** = Adjustable field hinge set
- B** = Spring latch and keep set (Auto gate latch can be used)
- C** = Hanging stile

Sizes given are quoted using the fittings supplied by Charltons and are a guide only. We recommend an experienced installer fit manual gates.

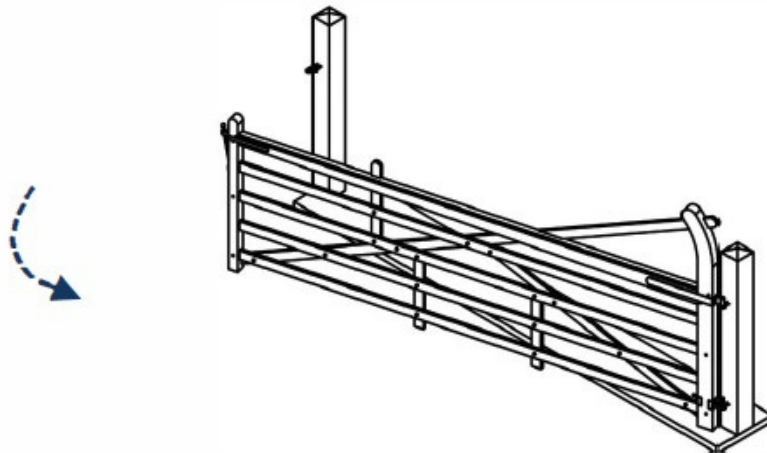
Gates must be hung from the larger hanging stile (**C**) unless it is a universal gate with both stiles the same size.

Automated electric gates must have a heavy duty rail. Gates should be fitted by a qualified installer.



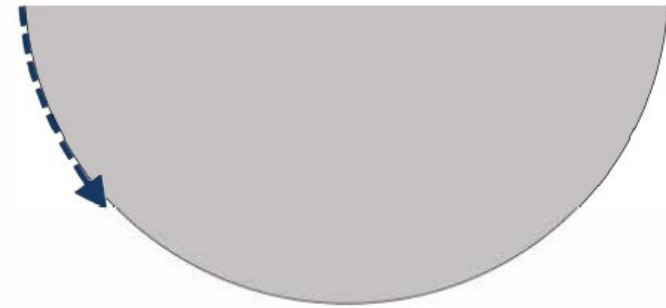
Gate opens inwards towards property up to 180°  
(assuming no object in the way)

\*Roadside



Property

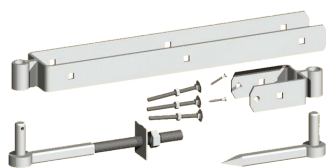
\*Roadside



Property

\*Gates should not open out onto a **public** pavement/highway re the Highways Act of 1980

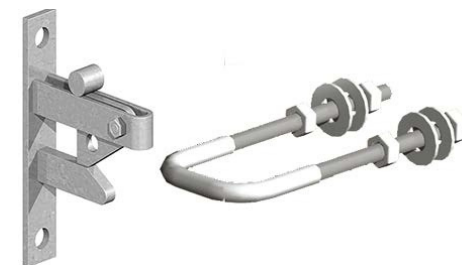
## Fittings for manually installed gates



Adjustable double strap  
eld hinge set x 2



Spring latch & keep set



Auto gate latch

## Recommended posts

Gate Width	Gate Height	Post Recommended
3'0" - 915mm to 4'0" - 1220mm	3'7" - 1090mm	7' x 5" x 5" - 2.1m x 125mm x 125mm
5'0" - 1525mm to 7'0" - 2130mm	3'7" - 1090mm	7' x 6" x 6" - 2.1m x 150mm x 150mm
8'0" - 2440mm to 14'0" - 4270mm	3'7" - 1090mm	7' x 7" x 7" - 2.1m x 175mm x 175mm

## Treatment

Pressure treatment protects the timber against wood rot and insect attack. These treatments do not provide all round protection against weathering. The elements and UV rays will slowly degrade the effectiveness of the pressure treatment. We therefore recommend that all planed timber gates are treated with a modern UV Oil. This is particularly important when hanging a pair of 5 Bar gates as it will help alleviate potential warping due to weathering and UV rays.

For more information please visit <https://charltonstimmerstore.com/timber-treatment-and-gate-care>